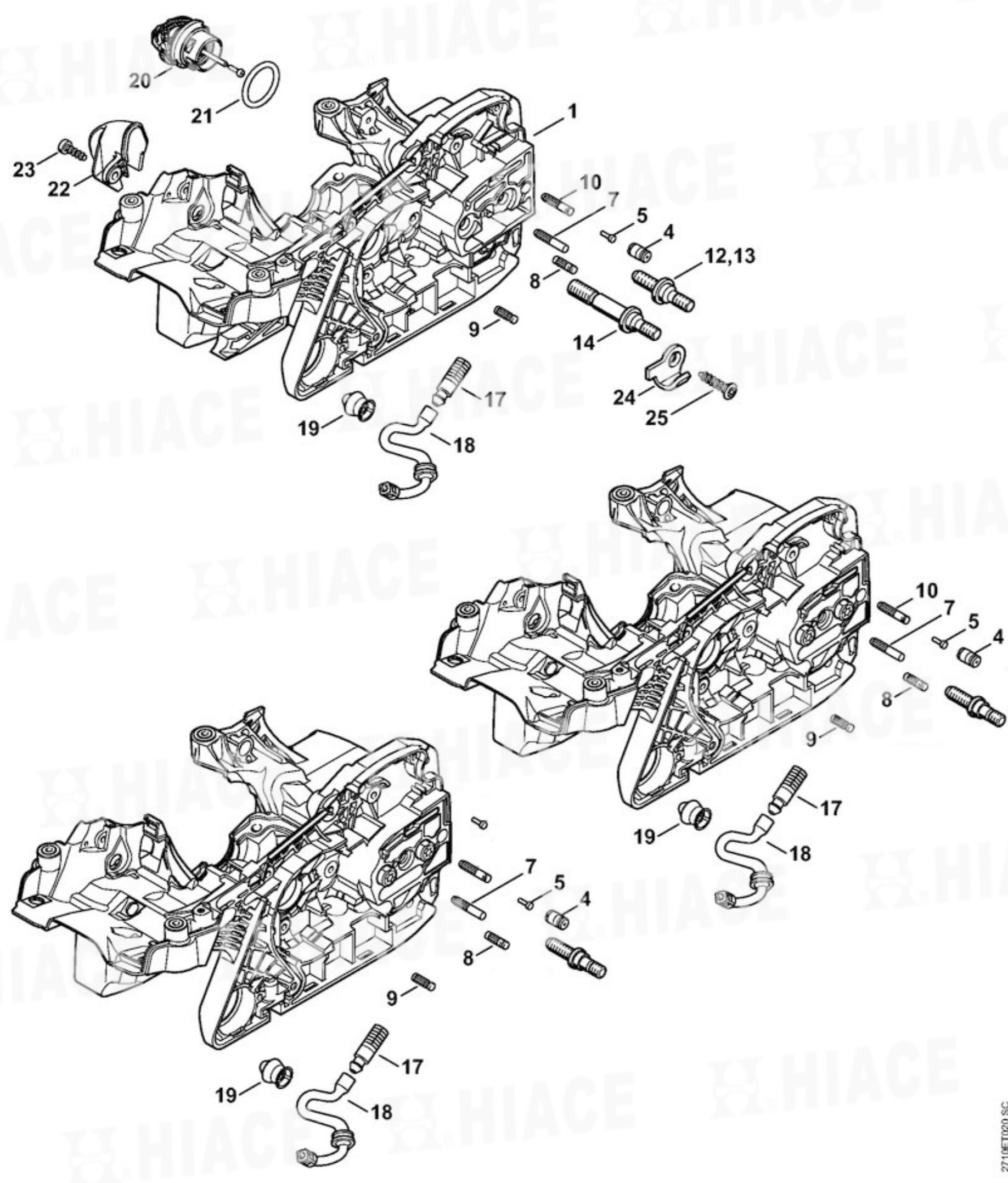
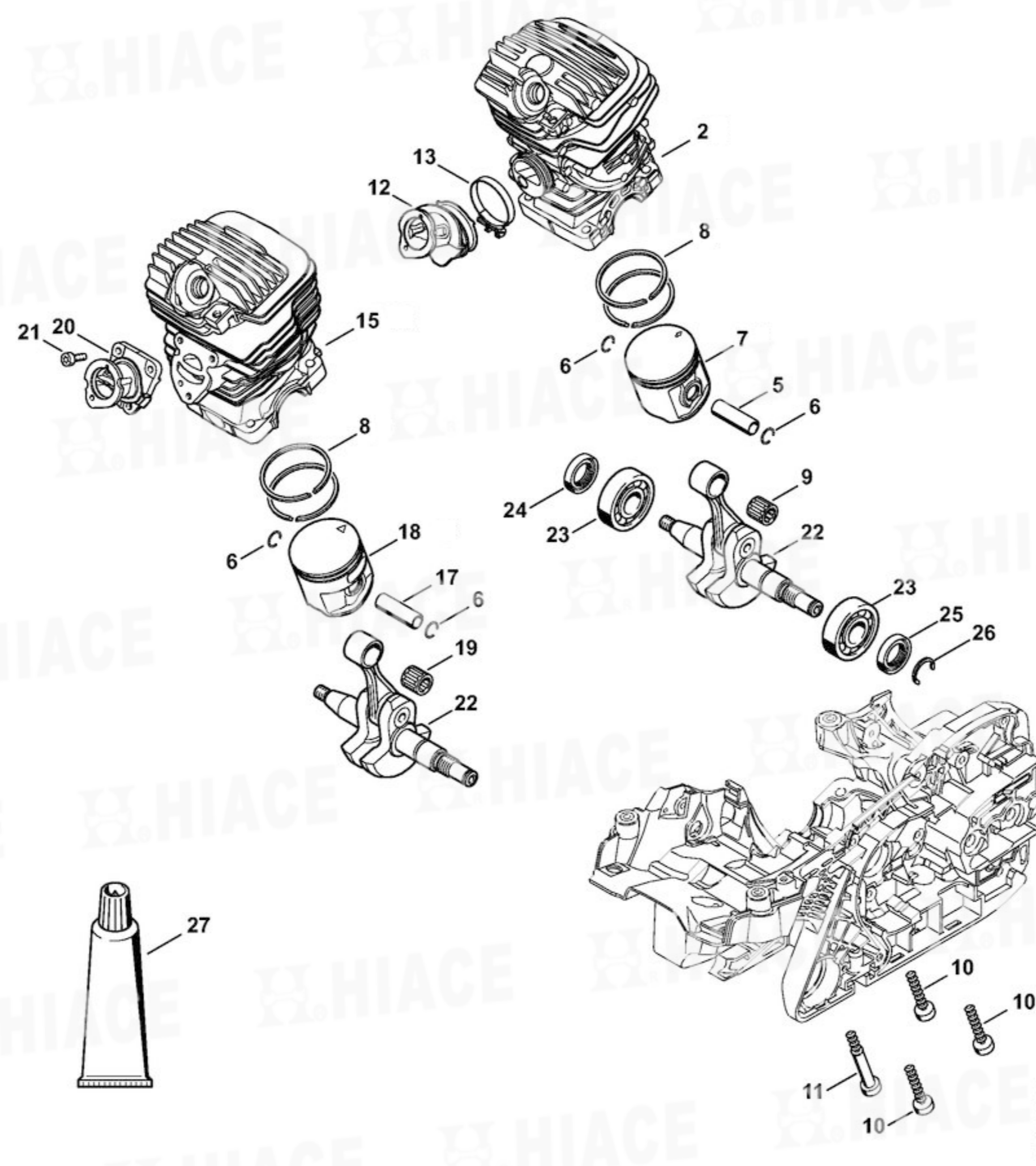


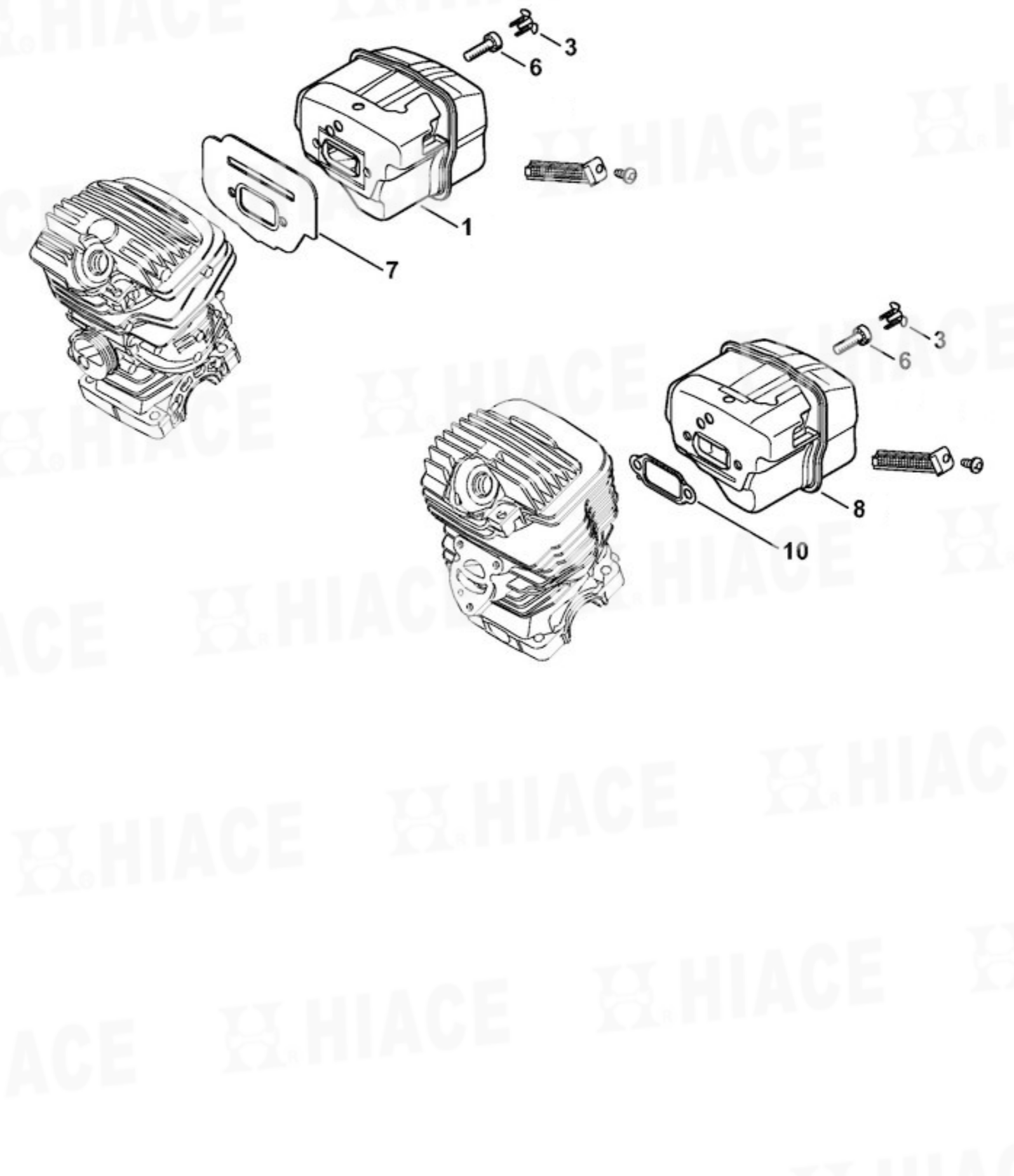
發動機外殼
Motor housing



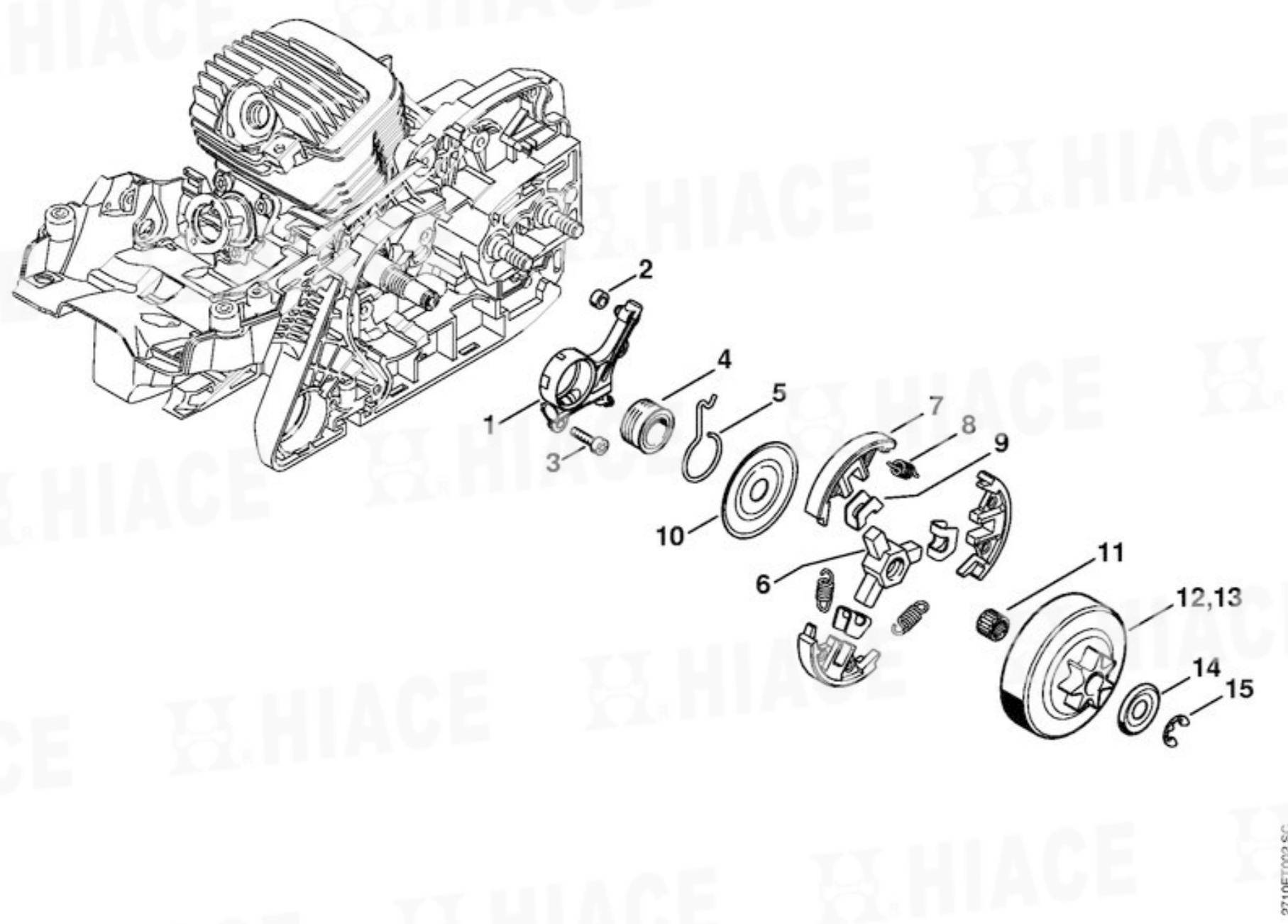
汽缸
Cylinder



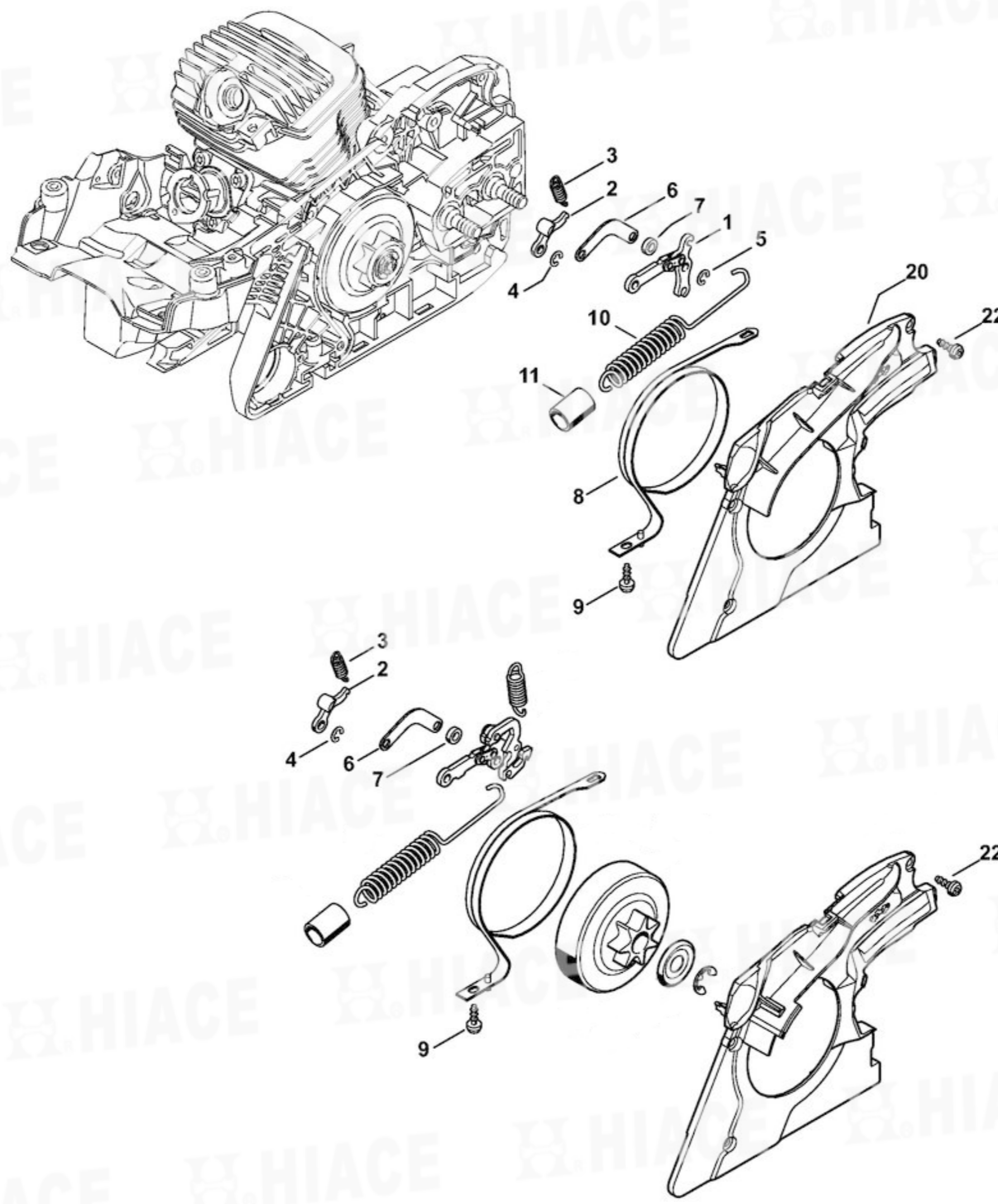
消音器
Muffler



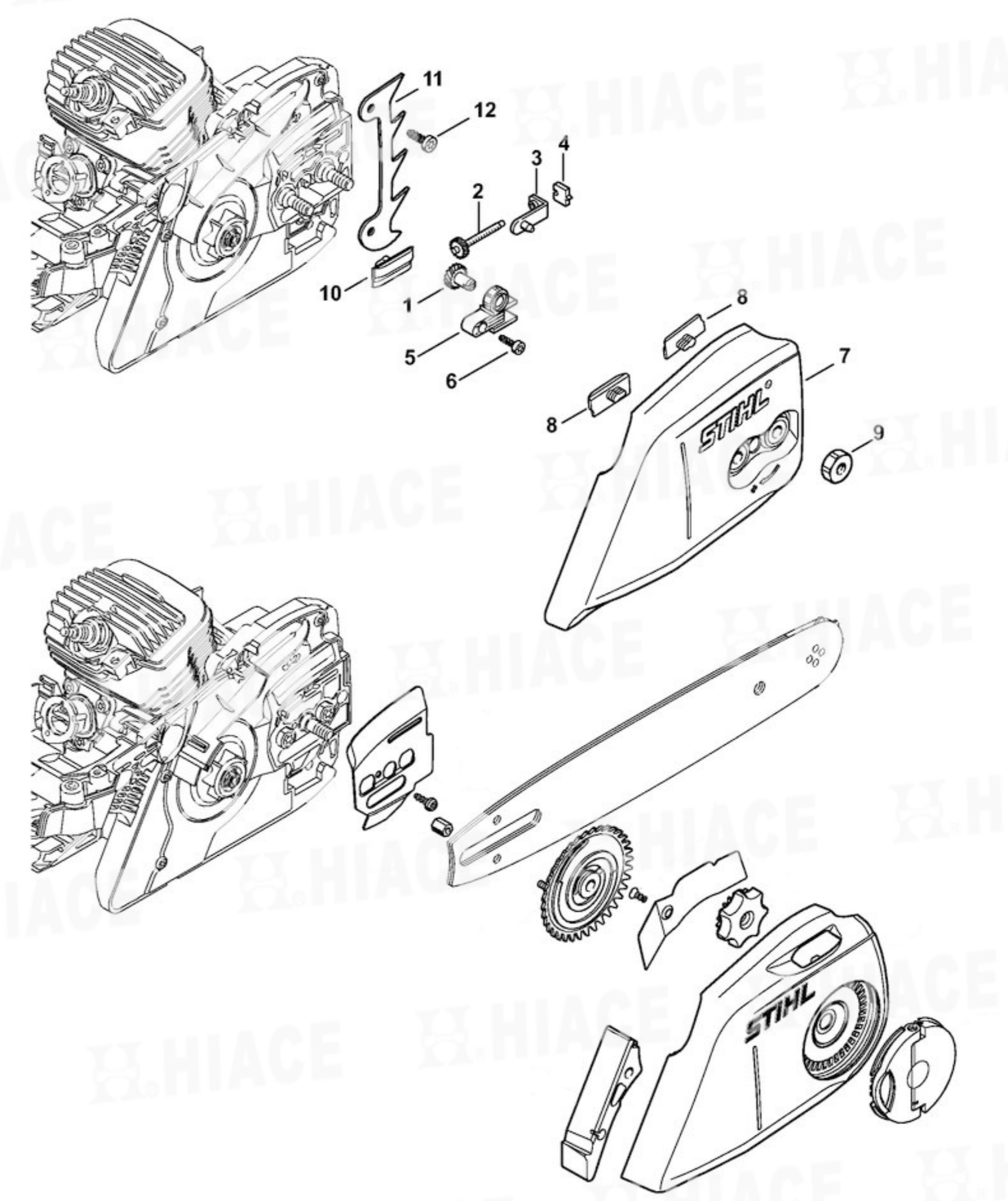
油泵、離合器
Oil pump, Clutch



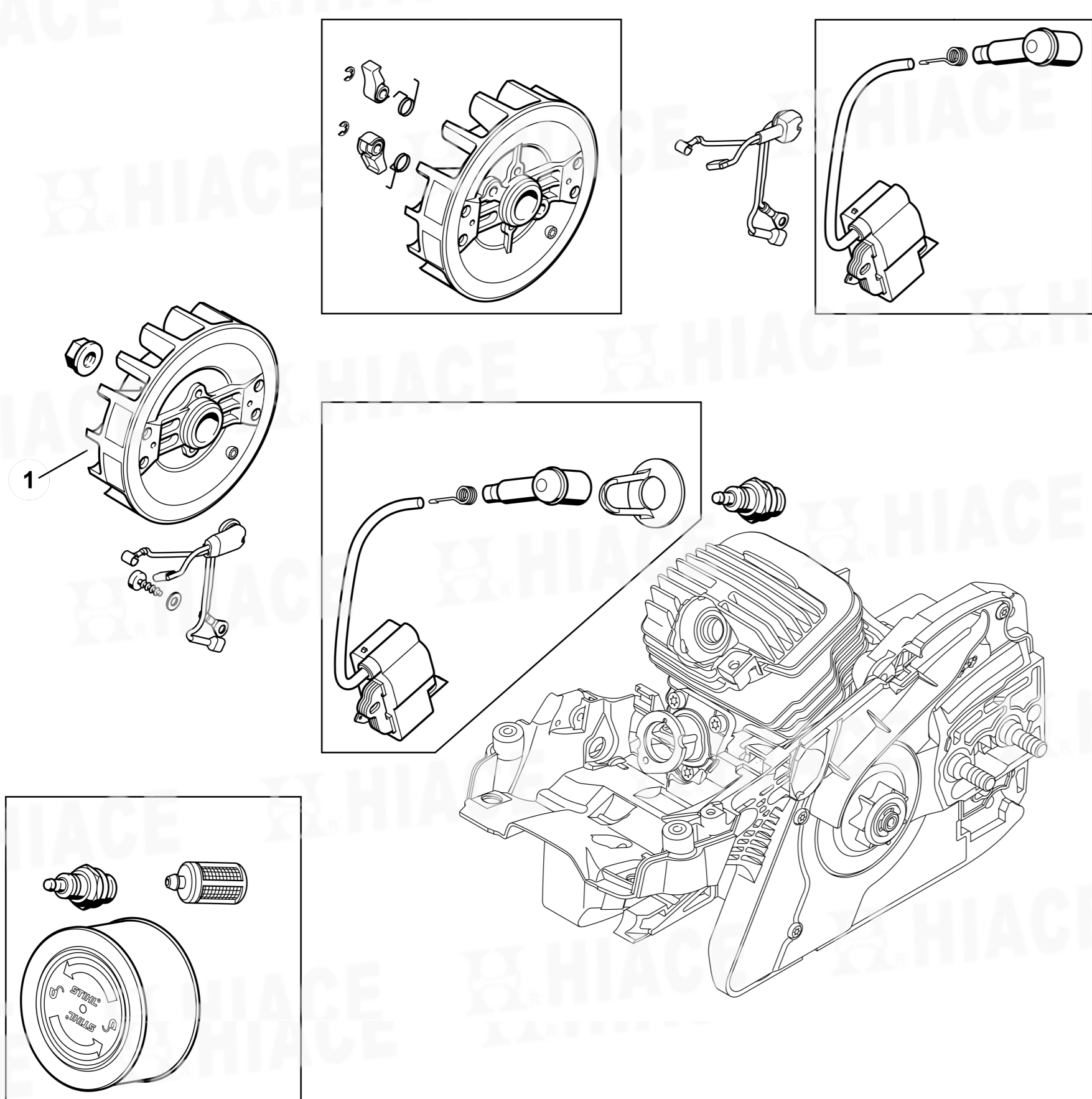
鋸鏈制動器
Chain brake



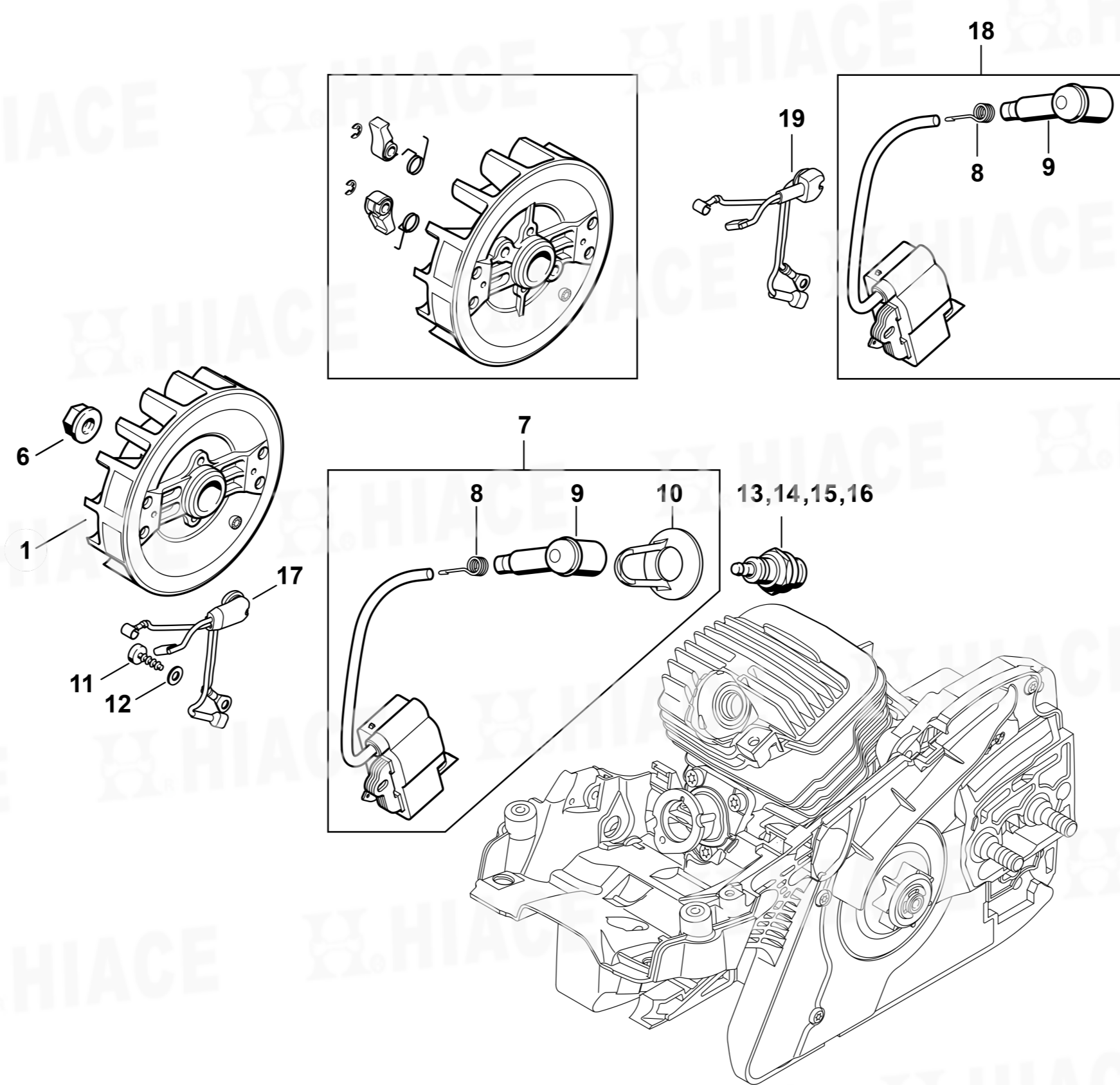
鏈條張緊器、鏈輪蓋
Chain tensioner, Chain sprocket cover



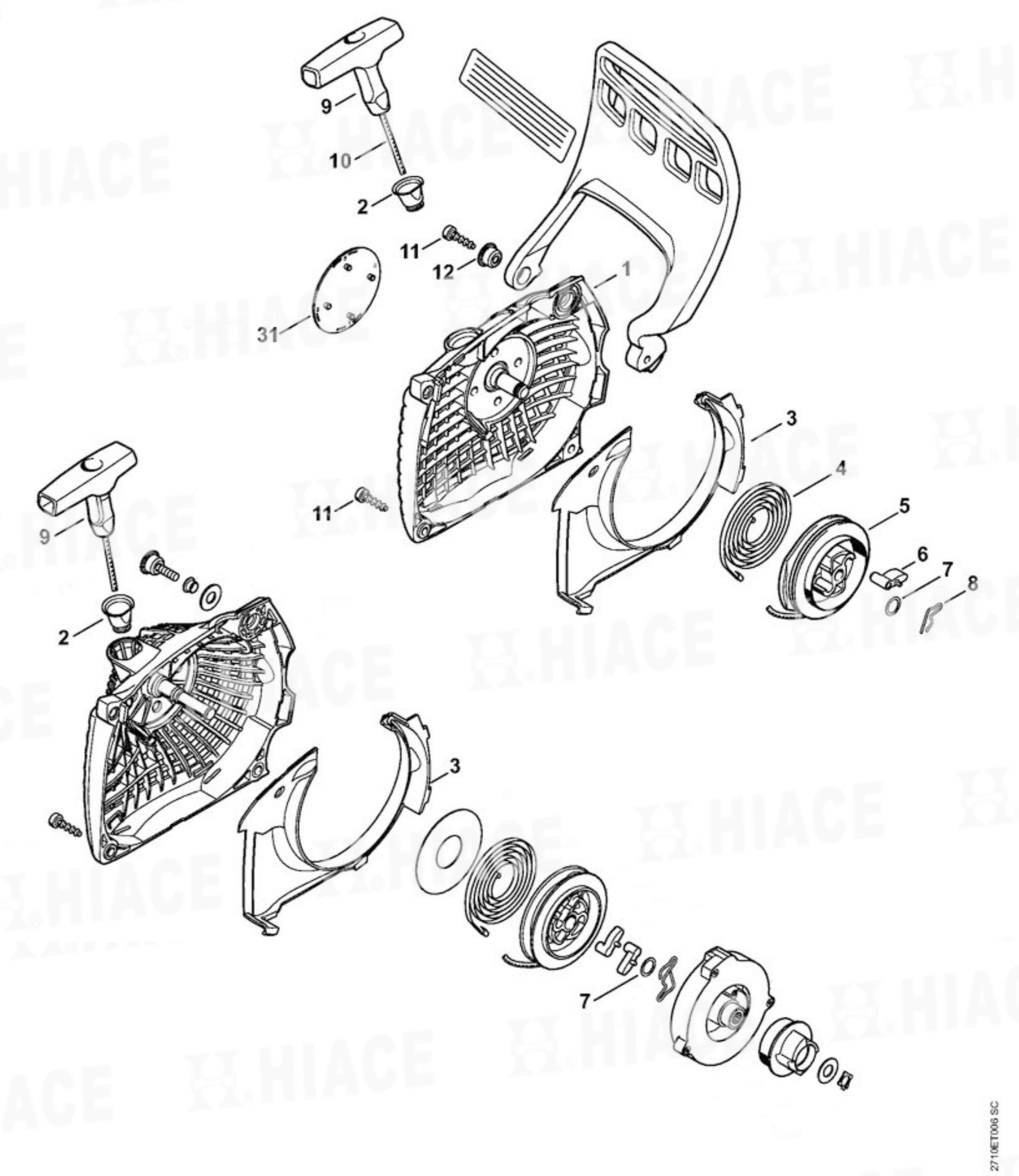
點火系統、電纜束
Ignition system, Wiring harness



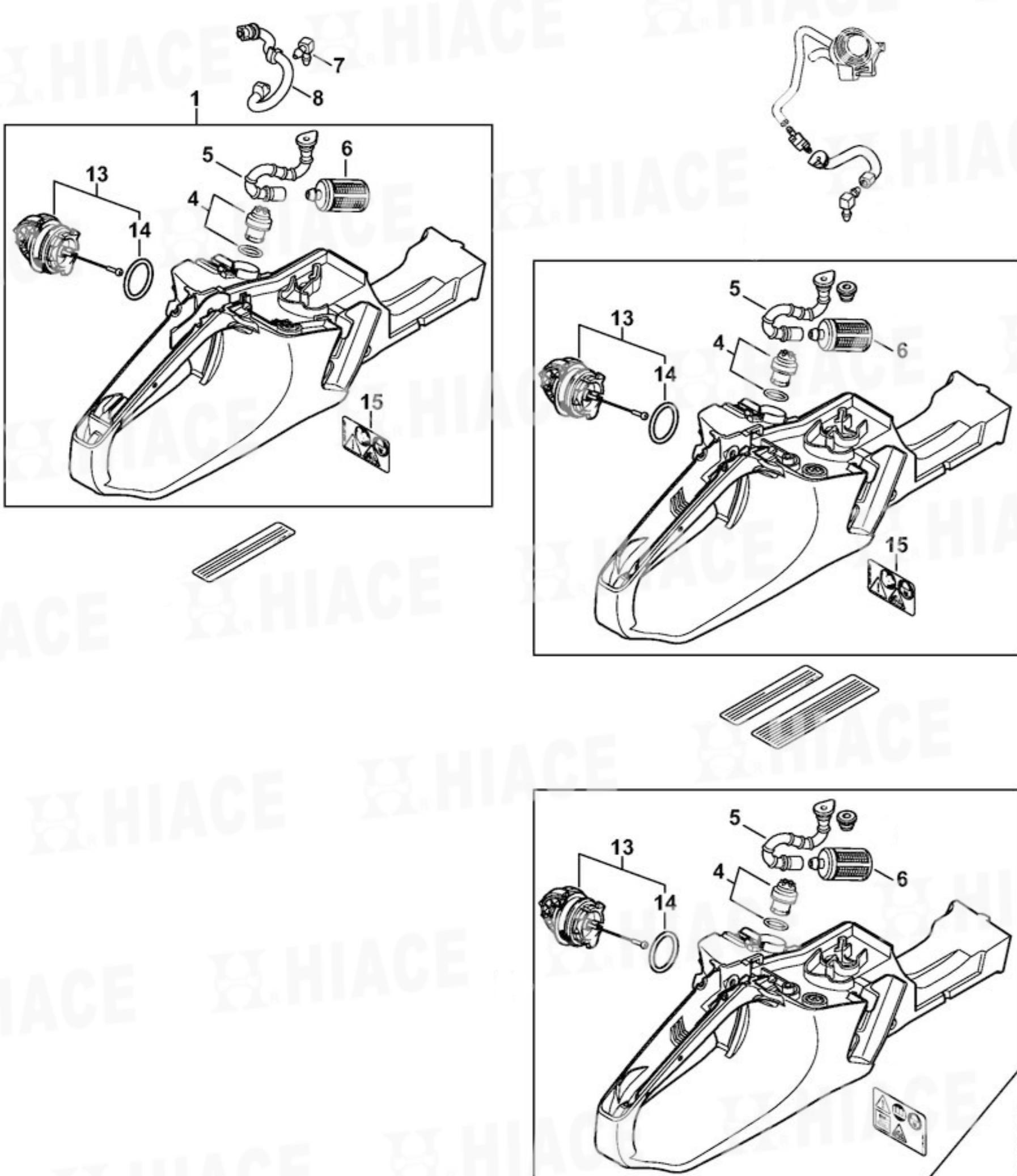
點火系統、電纜束
Ignition system, Wiring harness



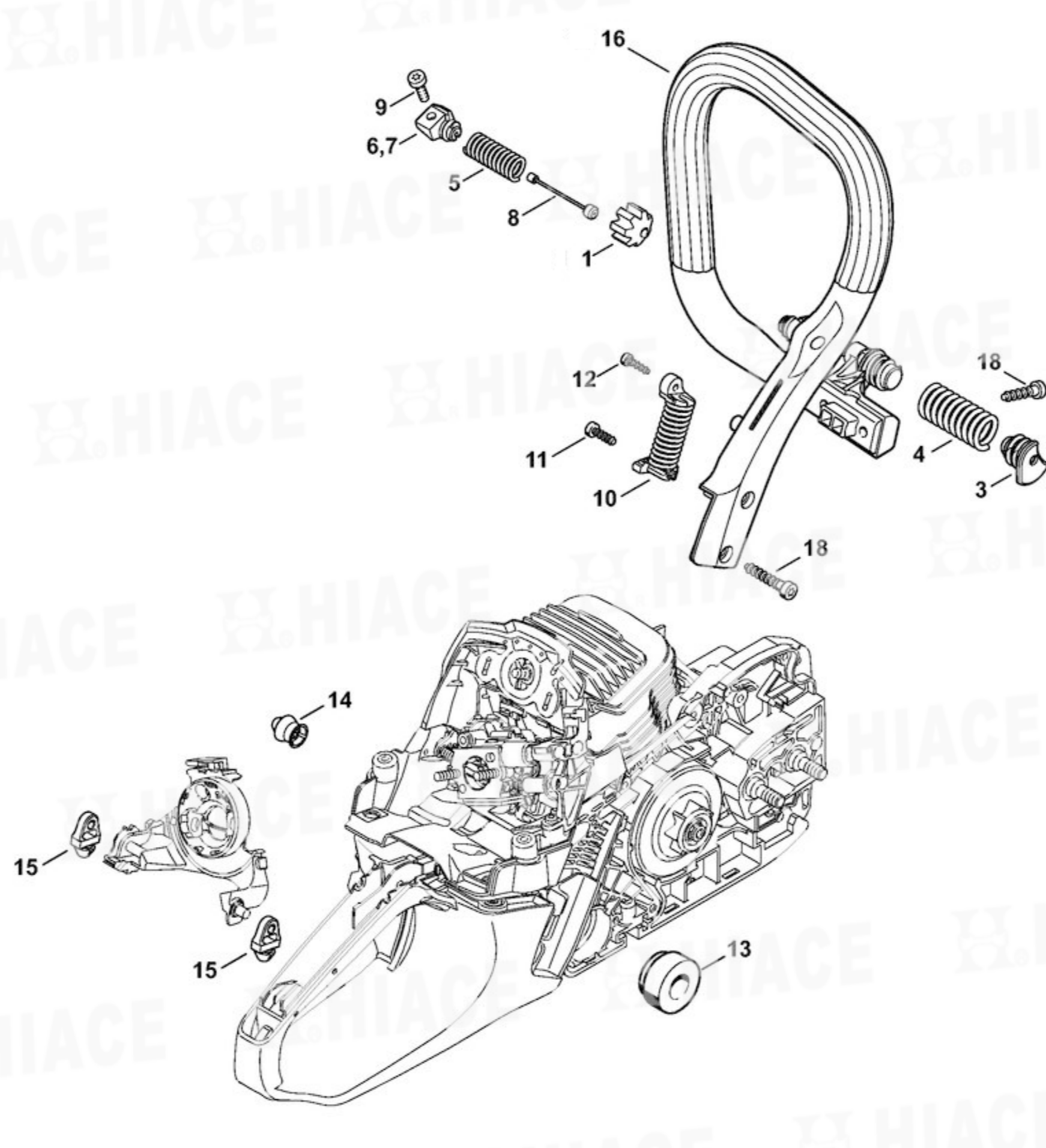
啟動裝置、護手
Rewind starter, Hand guard



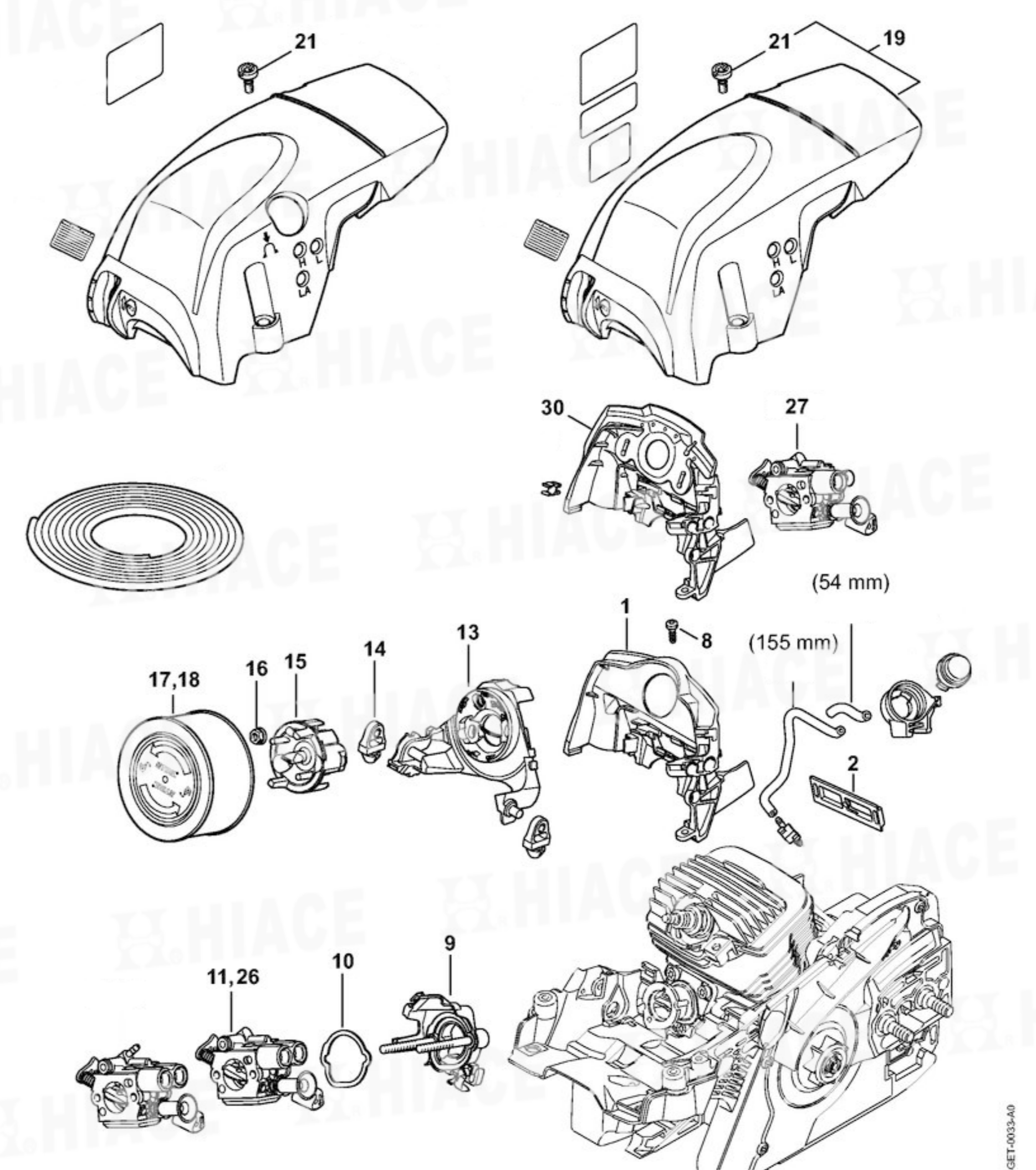
油箱
Tank housing



減震系統、把手
AV system, Handlebar



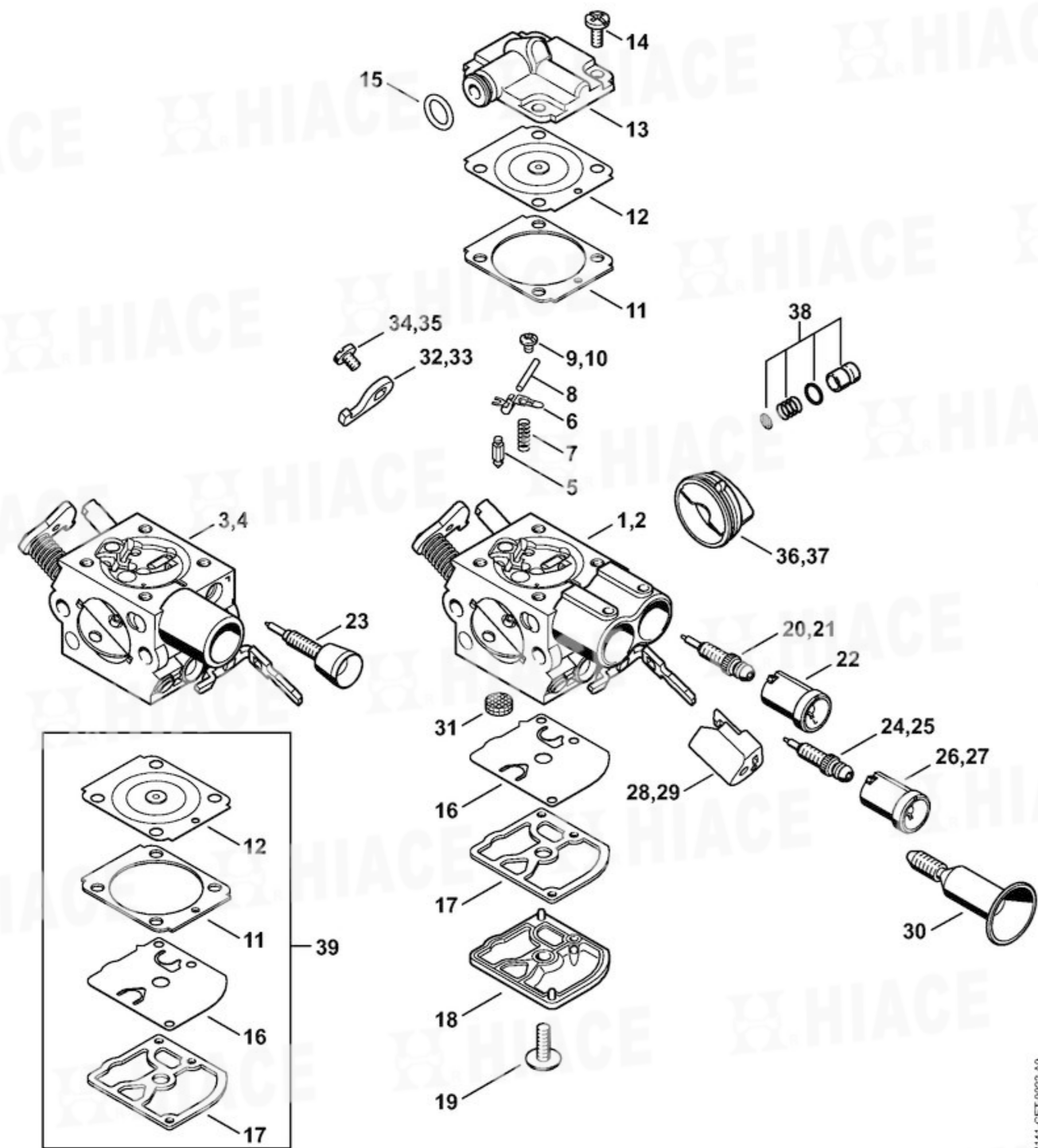
空氣擋板、化油器托架、罩蓋
Air baffle, Carburetor bracket, Shroud



MS-291 汽油鏈鋸

化油器 Carburetor

C1Q-S264、C1Q-S252、C1Q-S211、C1Q-S178



油門控制裝置 Throttle control

